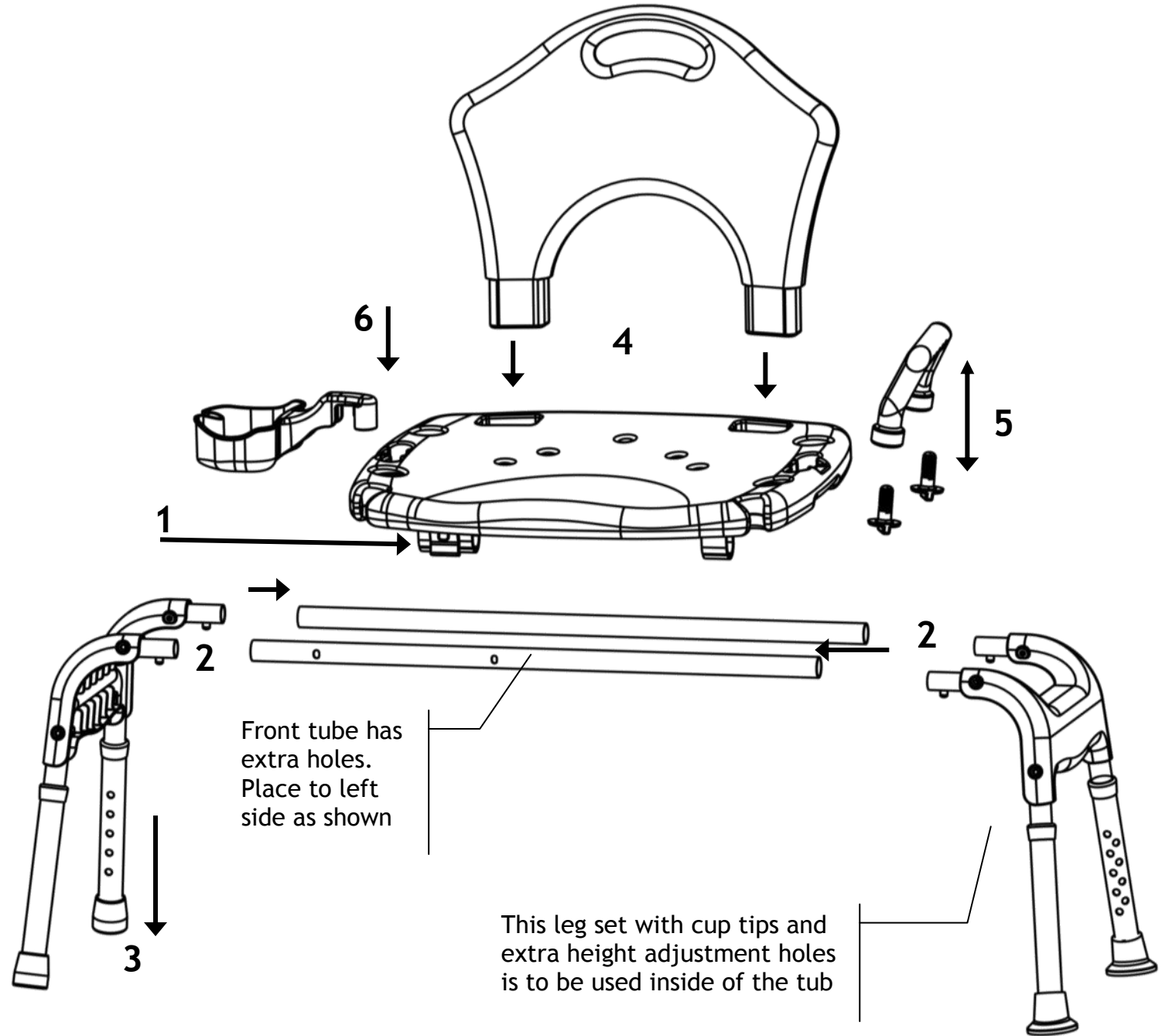


### Assembly Instructions

1. Insert the long tubes into the metal fixtures under the seat. **NOTE:** the front tube with extra holes is to be placed toward the RED release lever.
2. Snap a leg set into each side of Transfer Bench. **NOTE:** the leg set with wide suction tips and extra height adjustment holes is to be placed inside of the tub.
3. Adjust the extension tubes of each leg set so that the bench seat is level and at a comfortable height for the user. Push the spring button in and slide the leg tube to the next position.
4. Snap in the bench back; align the plugs and holes and push downward.
5. Set the hand hold into position on the tub side of the bench. Align the plugs and the holes then tighten the screws from below the bench.
6. Soap caddy can be used on either side of the bench. Align the tab and push into the center hole.



### Usage Instructions

- Pull the RED release lever to allow the bench to slide from the tub edge to the center position.
- Clean with spray bathroom cleaner and rinse thoroughly before re-use.

**Assembly Instructions**

1. Insert the long tubes into the metal fixtures under the seat. NOTE: the front tube with extra holes is to be placed toward the RED release lever.
2. Snap a leg set into each side of Transfer Bench. NOTE: the leg set with wide suction tips and extra height adjustment holes is to be placed inside of the tub.
3. Adjust the extension tubes of each leg set so that the bench seat is level and at a comfortable height for the user. Push the spring button in and slide the leg tube to the next position.
4. Snap in the bench back; align the plugs and holes and push downward.
5. Set the hand hold into position on the tub side of the bench. Align the plugs and the holes then tighten the screws from below the bench.
6. Soap caddy can be used on either side of the bench. Align the tab and push into the center hole.

**Usage Instructions**

- Pull the RED release lever to allow the bench to slide from the tub edge to the center position.
- Swivel the seat pad by lifting the tab.
- Clean with spray bathroom cleaner and rinse thoroughly before re-use.
- OK to remove the seat pad to clean.

